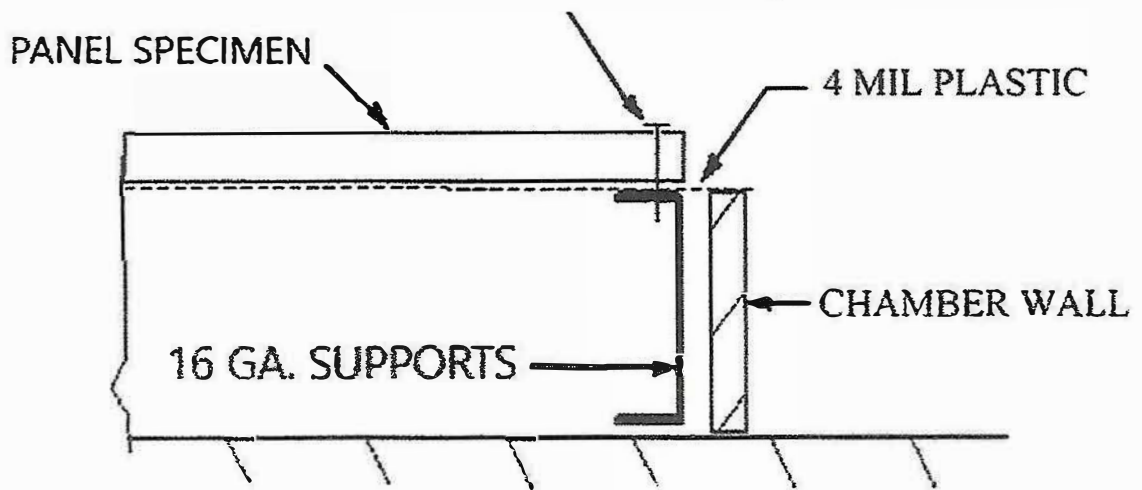
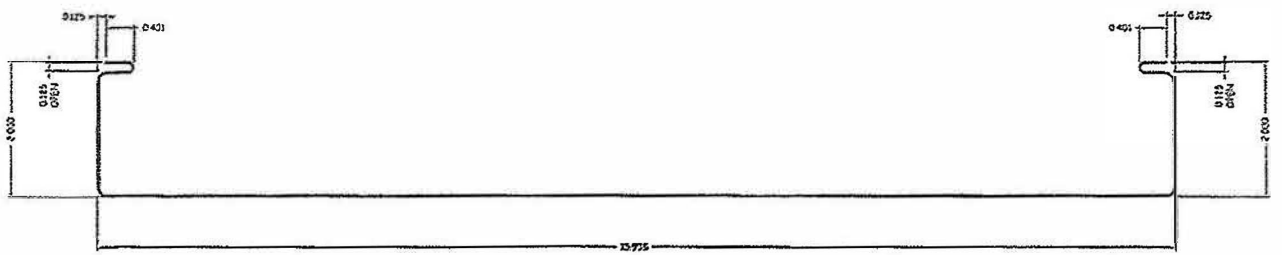


1/4-14 SELF DRILLING FASTENERS
(5 PER PANEL AT FIXED ENDS)

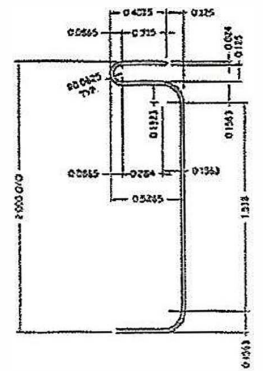
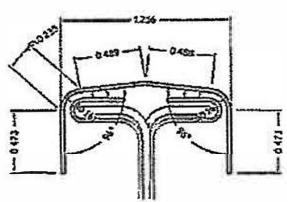
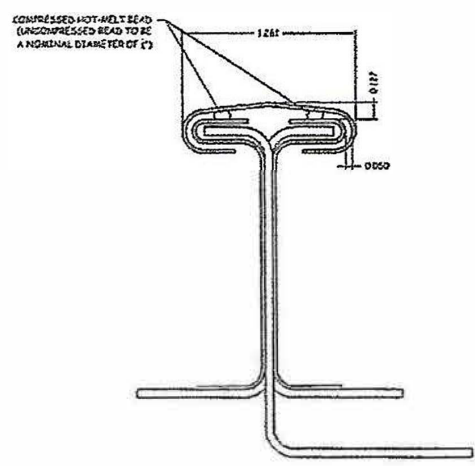


DETAIL 1

Figure 10.12.12.1



16" T PANEL

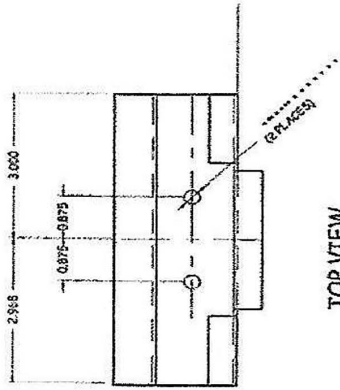
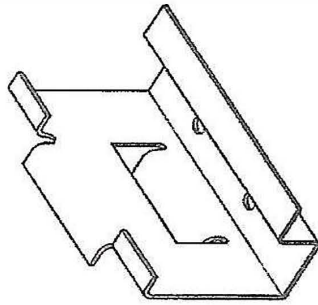


ENLARGED SIDE JOINT DETAIL

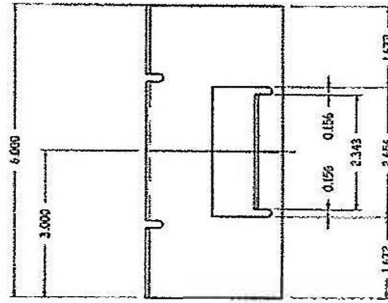
STUDY AT SIDE JOINT W/ CLIP CAP (AFTER SEAMING)

PANEL PROFILE

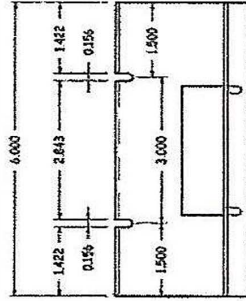
249074A 2/21/68



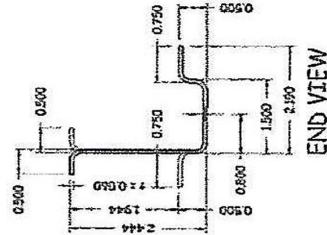
TOP VIEW



REAR VIEW



FRONT VIEW



END VIEW

d/d inc. design dynamics, inc.
 1217 E. 12th Street, Suite 100
 Tulsa, Oklahoma 74106
 Phone: (918) 766-2600
 Fax: (918) 766-2600

PETERSEN ALUMINUM CORPORATION

PART NO.		3	
REV.		5-22-6017	
DESCRIPTION		T PANEL INTERMITTENT CLIP	